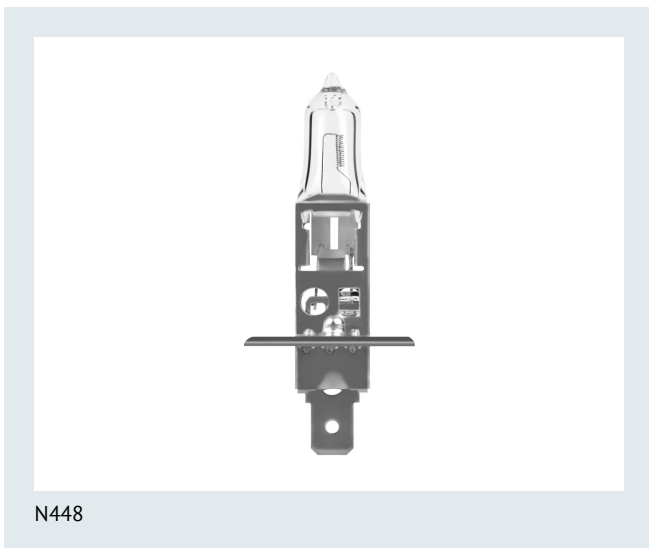




**NEOLUX**<sup>®</sup>  
GERMAN TECHNOLOGY

## Standard 55 W 12 V P14.5s

Car lamps from NEOLUX ensure the roads ahead are well-lit and visible to others.



N448

### Product family benefits

- Suitable for the most common headlight lamps
- Affordable
- Reliable manufacturer
- Good illumination of the road
- Reliable products

### Product family features

- Broad product range
- Good and reliable quality thanks to German technology
- ECE certified lamps
- Normed light output
- Basis for good light distribution

### Areas of application

- Headlight



N448



N448-01B

**Product information**

Application (Category and Product specific)	Halogen headlight lamp
---	------------------------

**Electrical Data**

Power input	68 W
Test voltage	13.2 V
Nominal wattage	55 W
Nominal voltage	12.0 V

**Photometric Data**

Color temperature	3200 K
Nominal luminous flux	1550 lm
Luminous flux tolerance	±15 %

**Physical Attributes & Dimensions**

Product weight	6.30 g
Length	62.5 mm
Lamp base	P14.5s
Diameter	8.5 mm

**Lifetime Data**

Lifespan Tc	400 hr
Lifespan B3	150 hr

**Capabilities**

Technology	Halogen lamp
------------	--------------

**Certificates & standards**

ECE category	H1
British standard	448

**Logistical data**

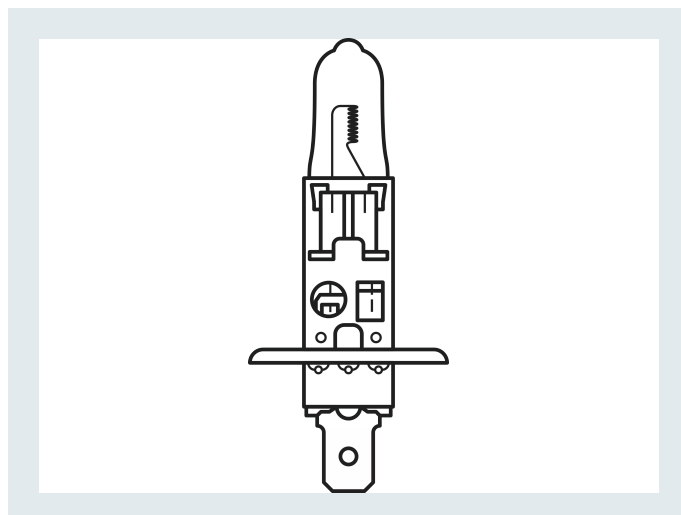
Order reference	N448
-----------------	------

**Environmental & Regulatory Information**

Primary article identifier	4052899198432   4008321771476   4008321760340
Candidate list substance 1	No declarable substances contained
Declaration no. in SCIP database	No declarable substances contained

**Packaging Information**

Packaging description	EAN	Packaging type	Amount of article
N448	4008321760340	FOLDING BOX	1
N448-01B	4008321771476	BLISTER	1



**NEOLUX**<sup>®</sup>  
GERMAN TECHNOLOGY

NEOLUX Automotive Lighting  
OSRAM GmbH

Marcel-Breuer-Str 4  
80807 Munich, Germany

Phone +49 89 6213-0  
Fax +49 89 6213-2020

[www.neolux-lighting.com](http://www.neolux-lighting.com)