



NEOLUX[®]
GERMAN TECHNOLOGY

Standard 55 W 12 V PGJ19-2

Car lamps from NEOLUX ensure the roads ahead are well-lit and visible to others.



N711

Areas of application

- Headlight



N711



N711-01B



N711

Product information

Application (Category and Product specific)	Halogen headlight lamp
---	------------------------

Electrical Data

Power input	62 W
Test voltage	13.2 V
Nominal wattage	55 W
Nominal voltage	12 V

Photometric Data

Color temperature	3200 K
Nominal luminous flux	1350 lm
Luminous flux tolerance	±10 %

Physical Attributes & Dimensions

Product weight	20.60 g
Length	64.0 mm
Lamp base	PGJ19-2
Diameter	9.8 mm

Lifetime Data

Lifespan Tc	580 hr
Lifespan B3	350 hr

Capabilities

Technology	Halogen lamp
------------	--------------

Certificates & standards

ECE category	H11
--------------	-----

Logistical data

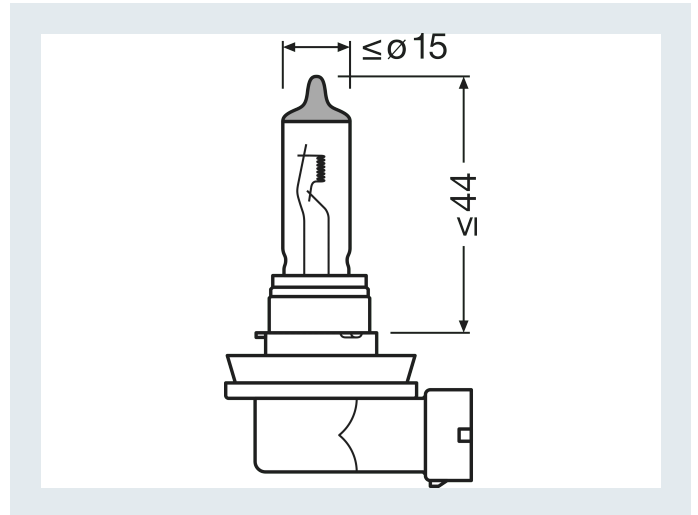
Order reference	N711
-----------------	------

Environmental & Regulatory Information

Primary article identifier	4052899451636 4008321842244 4052899301412
Candidate list substance 1	No declarable substances contained
Declaration no. in SCIP database	No declarable substances contained

Packaging Information

Packaging description	EAN	Packaging type	Amount of article
N711-01B	4052899301412	BLISTER	1
N711	4052899451636	FOLDING BOX	1



NEOLUX[®]
GERMAN TECHNOLOGY

NEOLUX Automotive Lighting
OSRAM GmbH

Marcel-Breuer-Str 4
80807 Munich, Germany

Phone +49 89 6213-0
Fax +49 89 6213-2020

www.neolux-lighting.com