



NEOLUX[®]
GERMAN TECHNOLOGY

Standard 60 W 12 V P20d

Car lamps from NEOLUX ensure the roads ahead are well-lit and visible to others.



Areas of application

- Headlight





Product information

Application (Category and Product specific)	Halogen headlight lamp
---	------------------------

Electrical Data

Power input	73 W
Test voltage	13.2 V
Nominal wattage	60 W
Nominal voltage	12 V

Photometric Data

Color temperature	3200 K
Nominal luminous flux	1860 lm
Luminous flux tolerance	±12 %

Physical Attributes & Dimensions

Product weight	18.20 g
Length	76.2 mm
Lamp base	P20d
Diameter	12.0 mm

Lifetime Data

Lifespan Tc	550 hr
Lifespan B3	280 hr

Capabilities

Technology	Halogen lamp
------------	--------------

Certificates & standards

ECE category	HB3
--------------	-----

Logistical data

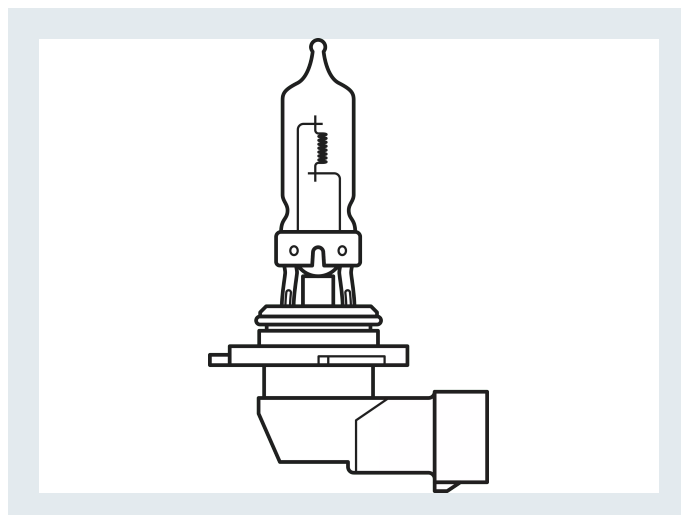
Order reference	N9005
-----------------	-------

Environmental & Regulatory Information

Primary article identifier	4008321990815 4052899200418
Candidate list substance 1	No declarable substances contained
Declaration no. in SCIP database	No declarable substances contained

Packaging Information

Packaging description	EAN	Packaging type	Amount of article
NEOLUX N9005	4008321990815	FOLDING BOX	1



NEOLUX[®]
GERMAN TECHNOLOGY

NEOLUX Automotive Lighting
OSRAM GmbH

Marcel-Breuer-Str 4
80807 Munich, Germany

Phone +49 89 6213-0
Fax +49 89 6213-2020

www.neolux-lighting.com