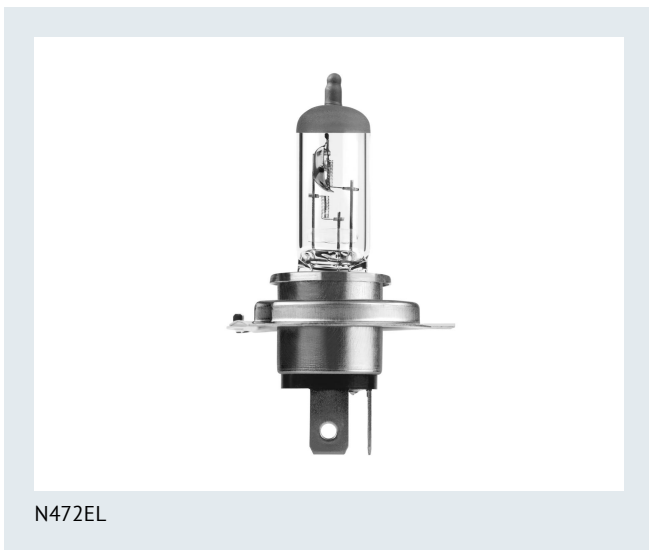




NEOLUX[®]
GERMAN TECHNOLOGY

Extra Light 60/55 W 12 V P43t

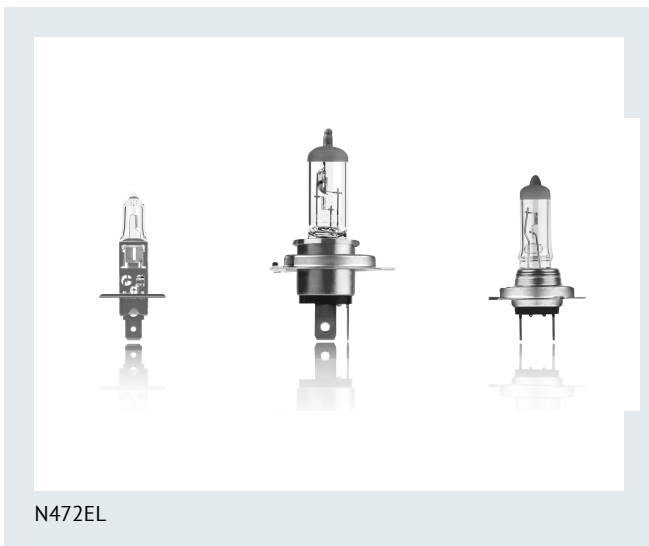
Car lamps from NEOLUX ensure the roads ahead are well-lit and visible to others.



N472EL

Areas of application

- Headlight
- Ideal for use in clear-glass headlights



N472EL



Product information

Application (Category and Product specific)	Halogen headlight lamp
---	------------------------

Electrical Data

Power input	75 W
Test voltage	13.2 V
Nominal voltage	12.0 V

Photometric Data

Nominal luminous flux	1650/1000 lm
Luminous flux tolerance	±12 %

Physical Attributes & Dimensions

Diameter	16.0 mm
Product weight	23.00 g
Length	87.0 mm
Lamp base	P43t
Diameter	16.0 mm

Lifetime Data

Lifespan Tc	350 hr
Lifespan B3	200 hr

Capabilities

Technology	Halogen lamp
------------	--------------

Certificates & standards

ECE category	H4
British standard	472

Logistical data

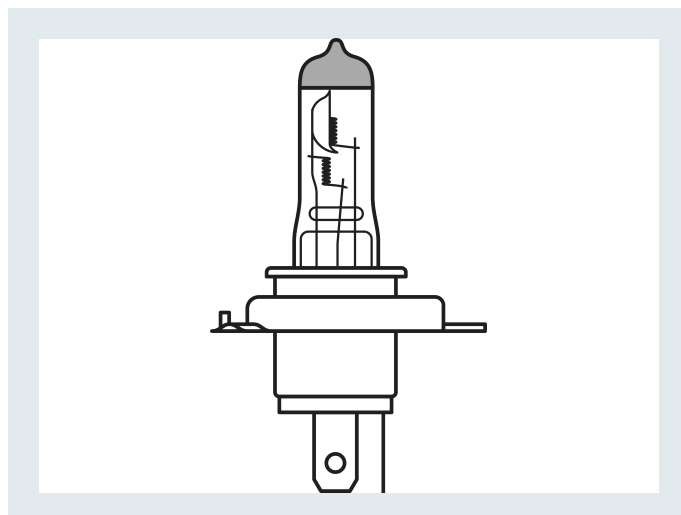
Order reference	N472EL
-----------------	--------

Environmental & Regulatory Information

Primary article identifier	4052899501034 4008321756800 4008321759351
Candidate list substance 1	No declarable substances contained
Declaration no. in SCIP database	No declarable substances contained

Packaging Information

Packaging description	EAN	Packaging type	Amount of article
NEOLUX N472EL-2SCB	4052899501034	SOFT COVER BOX	2



Legal advice

Compared to minimum ECE R112/R37 requirements

NEOLUX[®]
GERMAN TECHNOLOGY

NEOLUX Automotive Lighting
OSRAM GmbH

Marcel-Breuer-Str 4
80807 Munich, Germany

Phone +49 89 6213-0
Fax +49 89 6213-2020

www.neolux-lighting.com