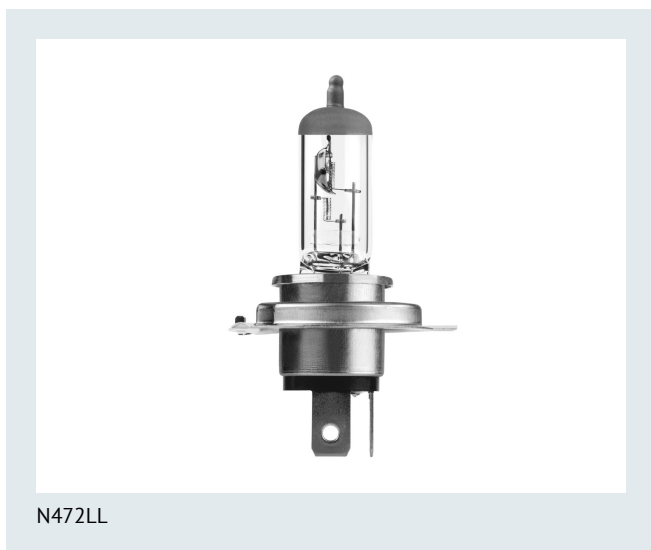




**NEOLUX**<sup>®</sup>  
GERMAN TECHNOLOGY

## Extra Lifetime 60/55 W 12 V P43t

Car lamps from NEOLUX ensure the roads ahead are well-lit and visible to others.



N472LL

### Areas of application

- Headlight



N472LL-2SCB

**Product information**

Application (Category and Product specific)	Halogen headlight lamp
---	------------------------

**Electrical Data**

Power input	75 W
Test voltage	13.2 V
Nominal voltage	12 V

**Photometric Data**

Nominal luminous flux	1650/1000 lm
Luminous flux tolerance	±12 %

**Physical Attributes & Dimensions**

Product weight	22.90 g
Length	87.0 mm
Lamp base	P43t
Diameter	16.0 mm

**Lifetime Data**

Lifespan Tc	350 hr
Lifespan B3	300 hr

**Capabilities**

Technology	Halogen lamp
------------	--------------

**Certificates & standards**

ECE category	H4
--------------	----

**Logistical data**

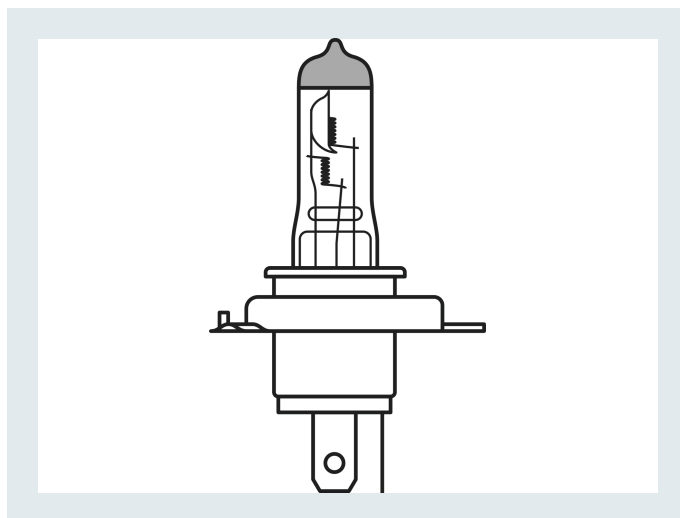
Order reference	N472LL
-----------------	--------

**Environmental & Regulatory Information**

Primary article identifier	4052899276185   4052899500990
Candidate list substance 1	No declarable substances contained
Declaration no. in SCIP database	No declarable substances contained

**Packaging Information**

Packaging description	EAN	Packaging type	Amount of article
NEOLUX N472LL-2SCB	4052899500990	SOFT COVER BOX	2



**NEOLUX**<sup>®</sup>  
GERMAN TECHNOLOGY

NEOLUX Automotive Lighting  
OSRAM GmbH

Marcel-Breuer-Str 4  
80807 Munich, Germany

Phone +49 89 6213-0  
Fax +49 89 6213-2020

[www.neolux-lighting.com](http://www.neolux-lighting.com)