



NEOLUX[®]
GERMAN TECHNOLOGY

Standard 5 W 12 V W2.1x9.5d



Areas of application

- Position and parking light
- Indicator, brake, fog and reversing lights
- Number plate and side position lights
- Interior lighting and reading lights
- Instrument and switch lighting



N501A

Product information

Application (Category and Product specific)	Auxiliary lamp
---------------------------------------------	----------------

Electrical Data

Power input	5 W
Test voltage	13.5 V
Power input tolerance	±10 %
Nominal wattage	5 W
Nominal voltage	12 V

Photometric Data

Nominal luminous flux	30 lm
Luminous flux tolerance	±20 %

Physical Attributes & Dimensions

Diameter	10.0 mm
Product weight	1.37 g
Length	26.8 mm
Lamp base	W2.1x9.5d

Lifetime Data

Lifespan Tc	1000 hr
Lifespan B3	350 hr

Certificates & standards

ECE category	WY5W
British standard	501A

Logistical data

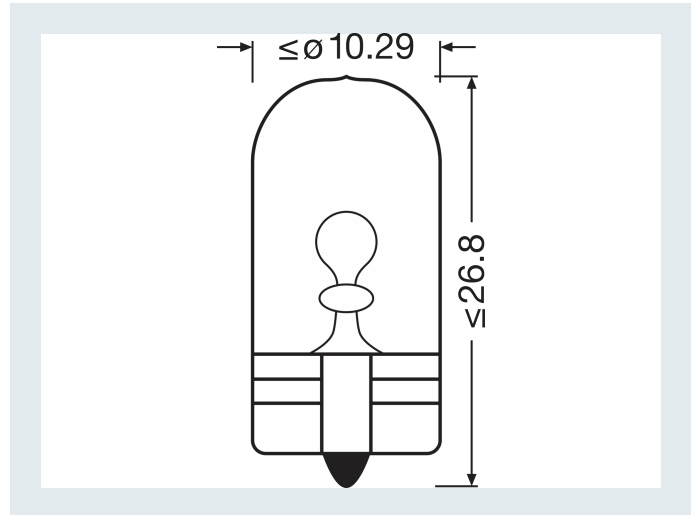
Order reference	N501A
-----------------	-------

Environmental & Regulatory Information

Primary article identifier	4052899570702 4052899570825
Candidate list substance 1	No declarable substances contained
Declaration no. in SCIP database	No declarable substances contained

Packaging Information

Packaging description	EAN	Packaging type	Amount of article
NEOLUX N501A	4052899570702	UNPACKED (UNPACKED SELLING UNIT FOR END USERS)	1



NEOLUX[®]
GERMAN TECHNOLOGY

NEOLUX Automotive Lighting
OSRAM GmbH

Marcel-Breuer-Str 4
80807 Munich, Germany

Phone +49 89 6213-0
Fax +49 89 6213-2020

www.neolux-lighting.com