

Standard 1.2 W 24 V B8.5d

NEOLUX 24 V halogen lamps provide a good view and visibility in all road conditions. The lamps are easy to replace – the 24 V standard replacement is the ideal choice for this task.



Product family benefits

- Suitable for the most common signal and interior applications
- Affordable
- Reliable manufacturer
- For good visibility
- Reliable products

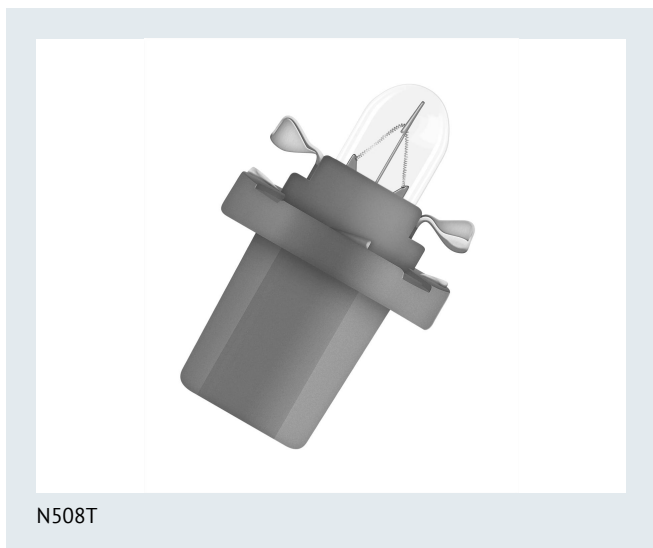
Product family features

- Broad product range
- Designed specifically for 24 V
- Lamps for exterior applications are ECE certified
- Good quality thanks to German technology
- Normed light output

Areas of application

- Position and parking light
- Indicator, brake, fog and reversing lights
- Number plate and side position lights
- Interior lighting and reading lights
- Instrument and switch lighting

Product datasheet





N508T

Product information

Application (Category and Product specific)	Auxiliary lamp
---	----------------

Electrical Data

Power input	1.6 W
Test voltage	28.0 V
Power input tolerance	±10 %
Nominal wattage	1 W
Nominal voltage	24.0 V

Photometric Data

Nominal luminous flux	6.4 lm
Luminous flux tolerance	±25 %

Physical Attributes & Dimensions

Product weight	1.18 g
Length	23.5 mm
Lamp base	B8.5d
Diameter	5 mm

Lifetime Data

Lifespan Tc	1000 hr
Lifespan B3	250 hr

Certificates & standards

British standard	508T
------------------	------

Logistical data

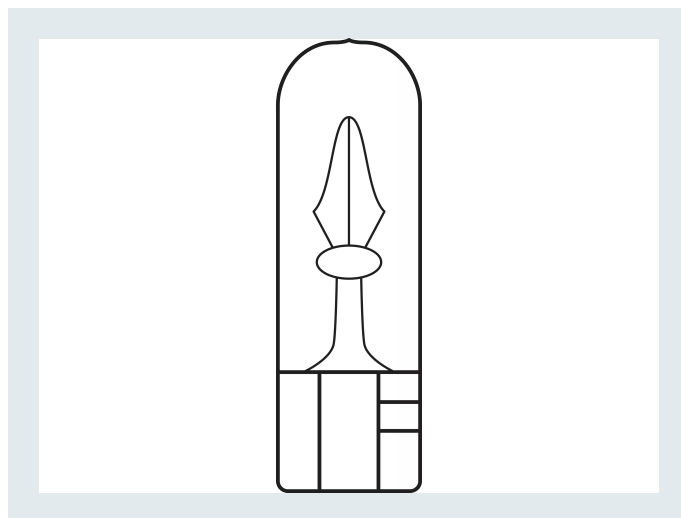
Order reference	N508T
-----------------	-------

Environmental & Regulatory Information

Date of declaration	14-10-2024
Primary article identifier	4008321769503
Candidate list substance 1	No declarable substances contained
Declaration no. in SCIP database	In Vorbereitung

Packaging Information

Packaging description	EAN	Packaging type	Amount of article
NEOLUX N508T	4008321769503	UNPACKED (UNPACKED SELLING UNIT FOR END USERS)	1



NEOLUX[®]
GERMAN TECHNOLOGY

NEOLUX Automotive Lighting
OSRAM GmbH

Marcel-Breuer-Str 4
80807 Munich, Germany

Phone +49 89 6213-0
Fax +49 89 6213-2020

www.neolux-lighting.com