

Standard 55 W 12 V PGJ19-2



N711

Product family benefits

- Reliable manufacturer
- Reliable products
- Good illumination of the road
- Suitable for the most common motorcycle headlights
- Affordable

Product family features

- Designed specifically for motorcycles
- Vibration-resistant
- ECE certified lamps
- Broad product range
- Good quality thanks to German technology

Areas of application

- Headlight



N711-01B



N711

Product information

Application (Category and Product specific)	Halogen headlight lamp
---	------------------------

Electrical data

Power input	62 W
Test voltage	13.2 V
Nominal wattage	55.00 W
Nominal voltage	12.0 V

Photometrical data

Color temperature	3200 K
Luminous flux	1350 lm
Luminous flux tolerance	±10 %

Dimensions & weight

Product weight	22.56 g
Length	67.0 mm
Diameter	12.0 mm

Lifespan

Lifespan Tc	580 h
Lifespan B3	350 h

Additional product data

Base (standard designation)	PGJ19-2
-----------------------------	---------

Capabilities

Technology	Halogen lamp
------------	--------------

Certificates & standards

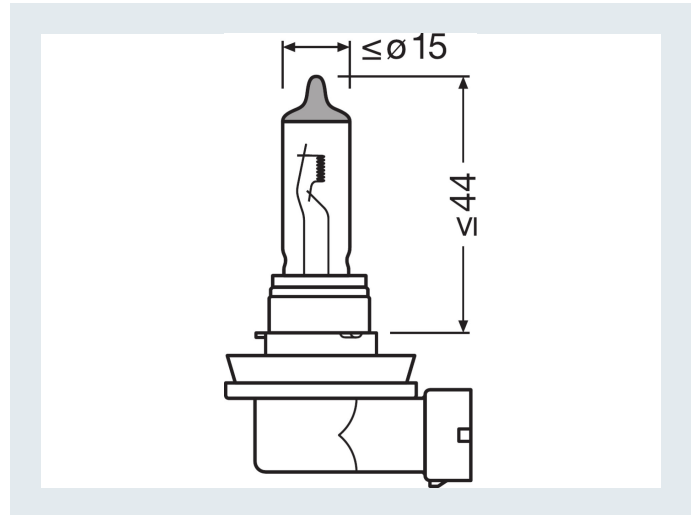
ECE category	H11
--------------	-----

Logistical data

Order reference	N711
-----------------	------

Packaging Information

Packaging description	EAN	Packaging type	Amount of article
N711-01B	4052899301412	Blister	1
N711	4052899451636	Folding box	1



NEOLUX[®]
GERMAN TECHNOLOGY

NEOLUX Automotive Lighting
OSRAM GmbH

Marcel-Breuer-Str 6
80807 Munich, Germany

Phone +49 89 6213-0
Fax +49 89 6213-2020

www.neolux-lighting.com